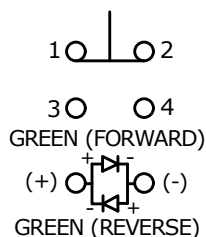
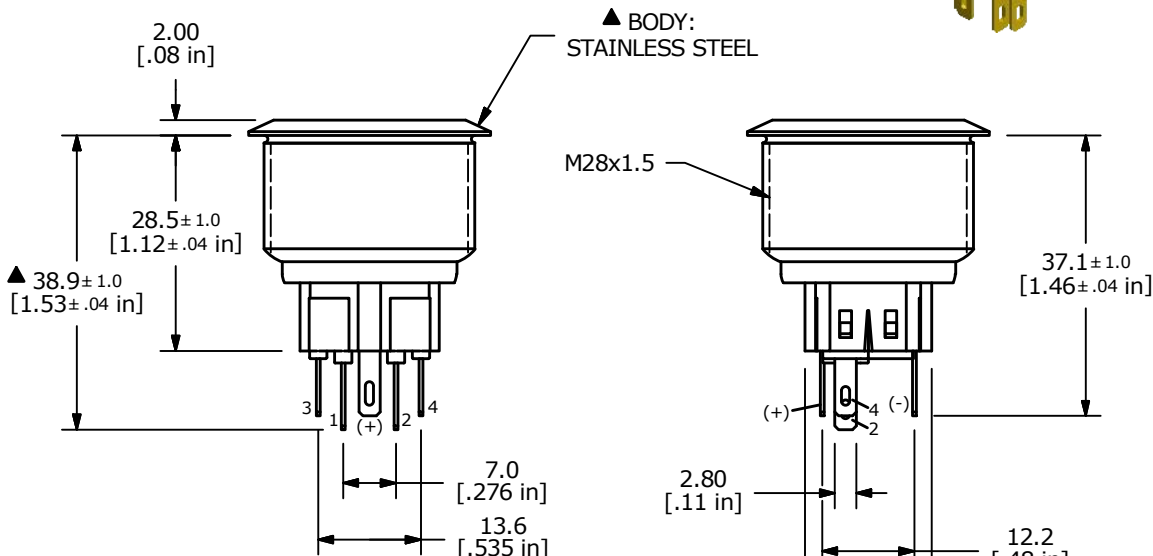


▲ SWITCH FUNCTION

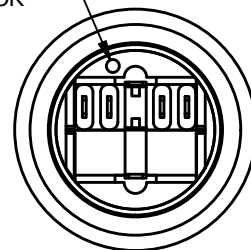
POS. 1	POS. 2
1-2 ON 3-4 OFF	1-2 (OFF) 3-4 (ON)



▲ SPDT ON-(OFF) / OFF-(ON)
CONTACT CONFIGURATION
() DENOTES MOMENTARY FUNCTION



DOT DENOTES LED COLOR



- NOTE:
- ALL DIMENSIONS IN MM [INCH]
 - GENERAL TOLERANCE: X.X = ± 0.4
X.XX = ± 0.25
 - TERMINAL NOS. FOR REF. ONLY
 - RATING: 2A @ 48VDC
 - CONTACT RESISTANCE: 50mΩ MAX. @ 1A 12VDC
 - INSULATION RESISTANCE: 1,000MΩ @ 500VDC
 - DIELECTRIC STRENGTH: 2,000VAC MIN. FOR 1 MINUTE
 - ELECTRICAL LIFE: 50,000 CYCLES
 - OPERATING TEMPERATURE: -20°C TO 55°C
 - INGRESS PROTECTION: IP66
 - SUPPLIED HARDWARE: O-RING AND HEXNUT
 - ▲ DENOTES CRITICAL PARAMETER
 - ▲ ILLUMINATION VOLTAGE: 2.8V



B	23840	UPDATED RATING TO IP66	4/8/19	MJR
A	22084	RELEASE FOR PRODUCTION	12/8/15	MW
REV	PCR NO	DESCRIPTION	DATE	BY

TITLE PV9F2Y0SS331				
SCALE 1:1	DATE 12/8/2015	DR MW	DWG 52-PV9F2Y0SS331	REV B